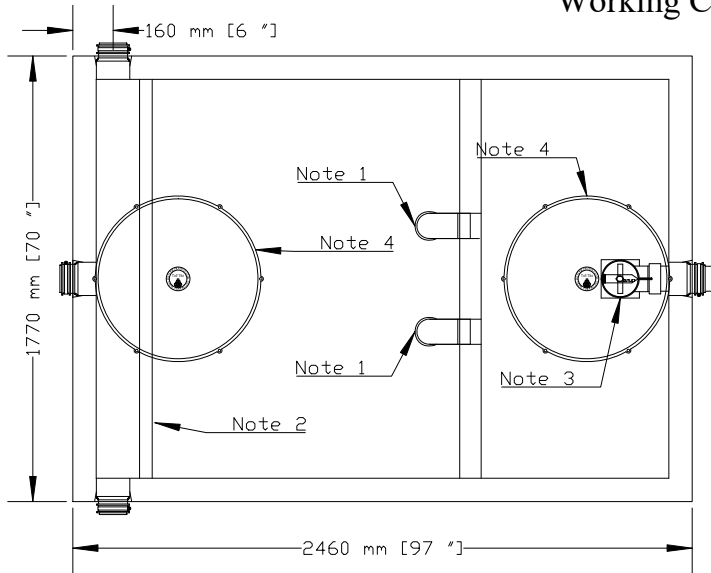


# NEWMARKET PRE-CAST CONCRETE PRODUCTS

Telephone: 905-852-6111 ; Toll Free 1-800-263-1297

## Model Low 3600 (800) Septic Tank - 1 Piece Unit

Working Capacity ..... 3667 Litres (806 GAL.)



Top Section

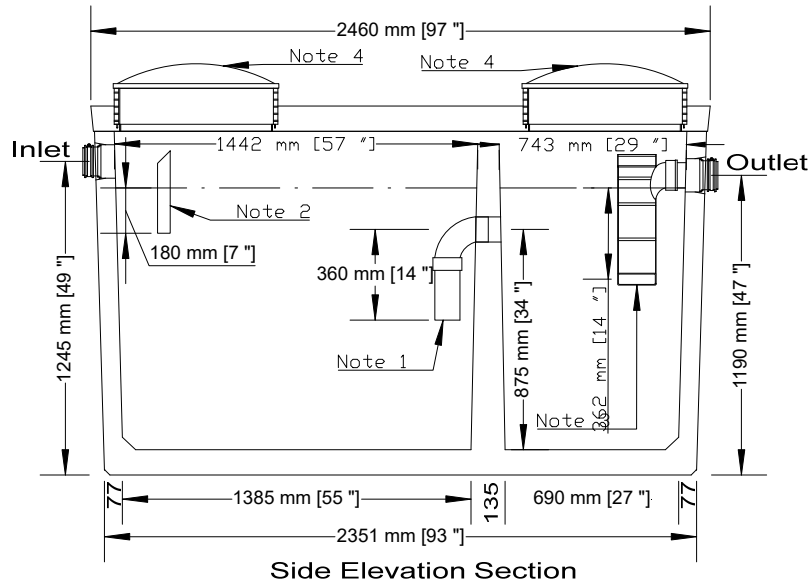
- This tank design is a one piece unit. Top is sealed with a fibrous mastic sealant
- tanks are cast with 35 MPA strength concrete at 7 days with 5-7% air
- Chamber divider monolithically cast with structure
- 3.0 Kg. structural fibre added to concrete. ASTM C 1116
- Lid has 10m Pre-manufactured welded wire
- Rebar Cover 25mm
- Tanks conform to National Standards of Canada CAN/CSA B66-16
- Non-sulphate resistant concrete
- Standard (3) 100mm Inlets and 1 outlet fitted with flexible rubber connections

Bare Base Weight.....3370 Kg (7429 Lbs)  
 Lid Weight.....1040 Kg (2293 Lbs)  
 Total Tank Weight.....4410 Kg (9722 Lbs)

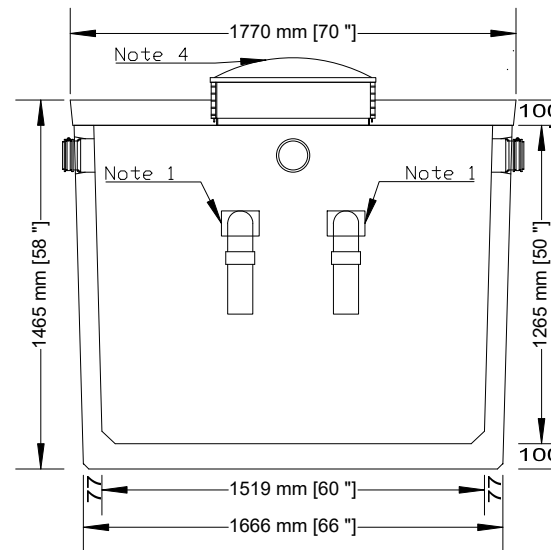
Notes

1. Two 100mm PVC 90 Degree Elbow Through Partition
2. Concrete Baffle Prefitted to Accommodate (3) 100mm Inlet
3. 100mm Outlet Fitted with Filter that Meets Ontario Building Code.
4. Cast in place 610mm ID plastic riser with plastic lid secured with stainless steel fasteners extending 70mm above concrete

Designed for up to one metre burial over top of tank - Deep burial and vehicle traffic tanks are available upon request. Specialty conformations may be possible



Side Elevation Section



End Elevation Section

Tank markings observed:  
 Inlet & outlet are marked.  
 Tank is marked on tank lid - inlet end

**NPCP**  
 2019 SEPTIC LO 3600 L  
 B.D. 1 METRE  
 1200 LIQUID DEPTH  
 WC 3667  
 NON SUPHATE  
 AGINP