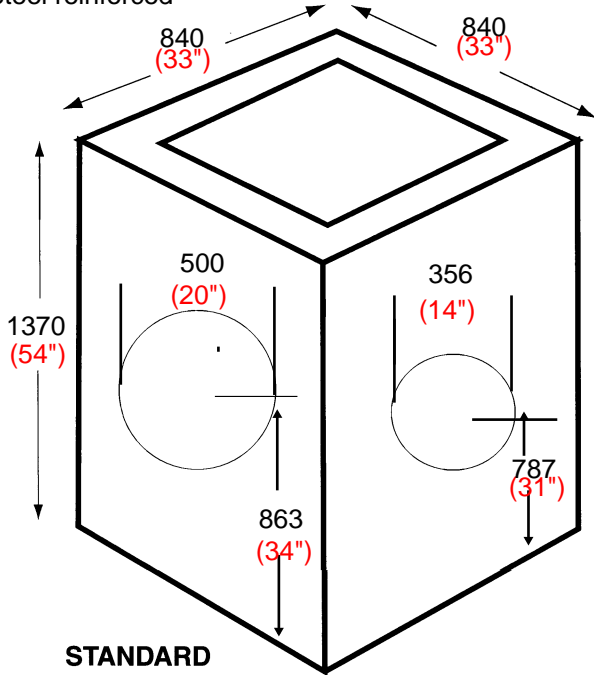
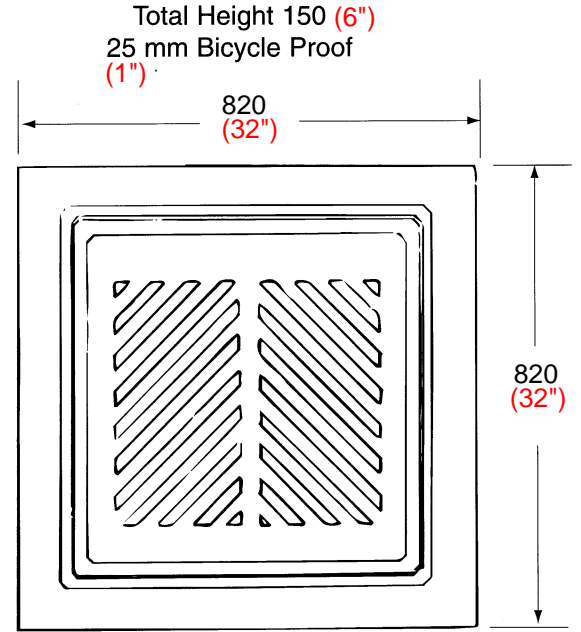


STANDARD CATCH BASIN

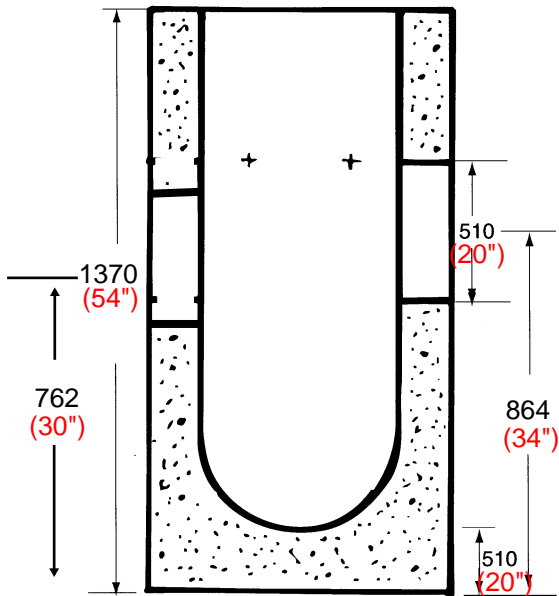
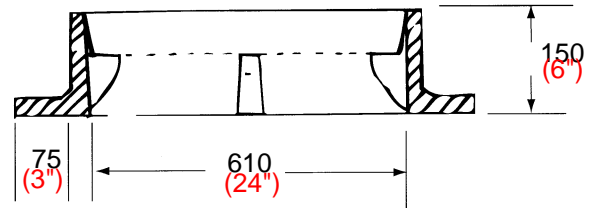
Concrete strength 35 MPA
 Steel reinforced



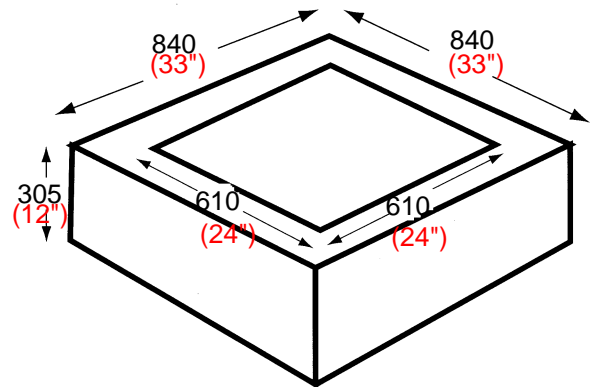
STANDARD
 356 - 500 Inverts
 (14") (20")
 4 way Inverts on Request



CAST IRON GRATE & FRAME
 Weight 215 kg.
 (48Lb)



CUTAWAY VIEW
 Approximate Weight 1180 kg.
 (2600Lb)



CATCH BASIN EXTENSION
 Approximate Weight 180 kg
 (40Lb)

All Measurements in mm