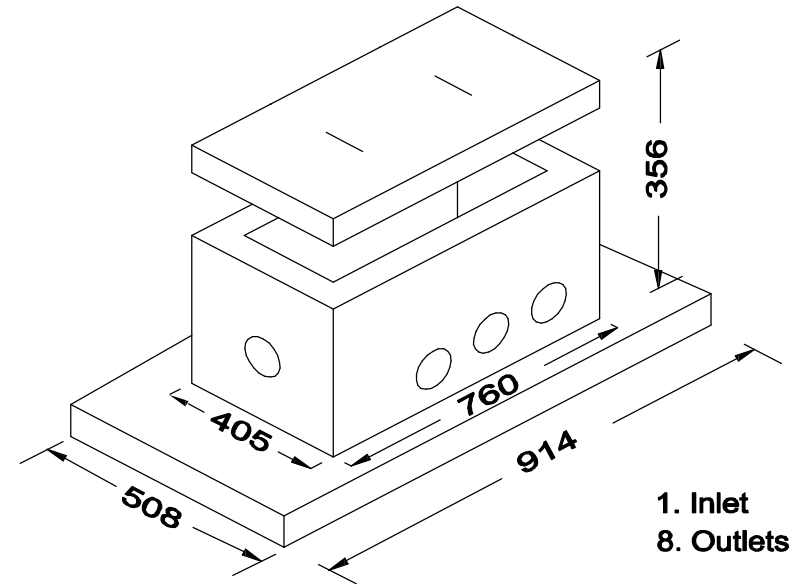
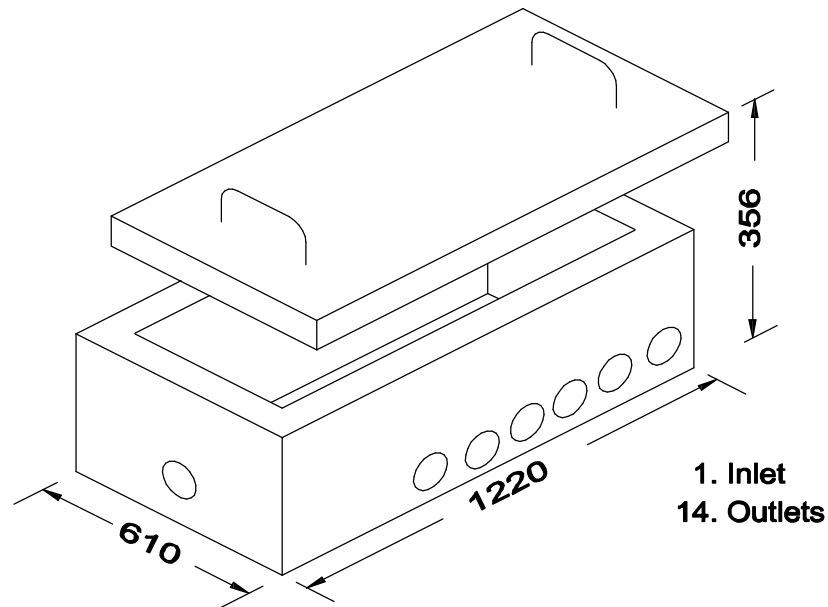


Standard Distribution Boxes



Boxes are cast with 35 MPA strength concrete at 7 days with 5 - 7% air.

Steel reinforced.

Inlet openings are 50mm above outlets.

Small distribution box has 3" couplings cast in.

Large distribution box has 4" couplings cast in.